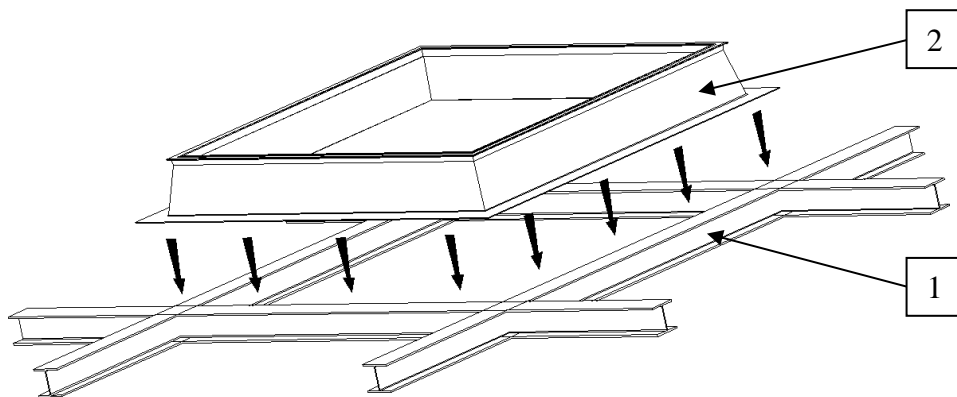


Assembly Instructions

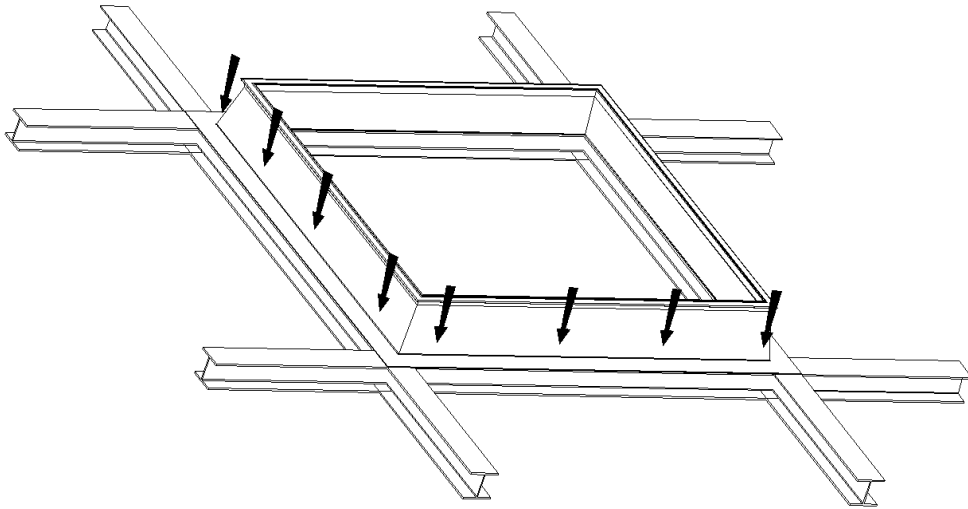
Object of assembly: G-Lux glass skylight (fixed version)



1. The crown (2) is positioned onto the pre-prepared substructure of the roof (1), over a roof opening of size "K" matching the dimension of the sky dome.



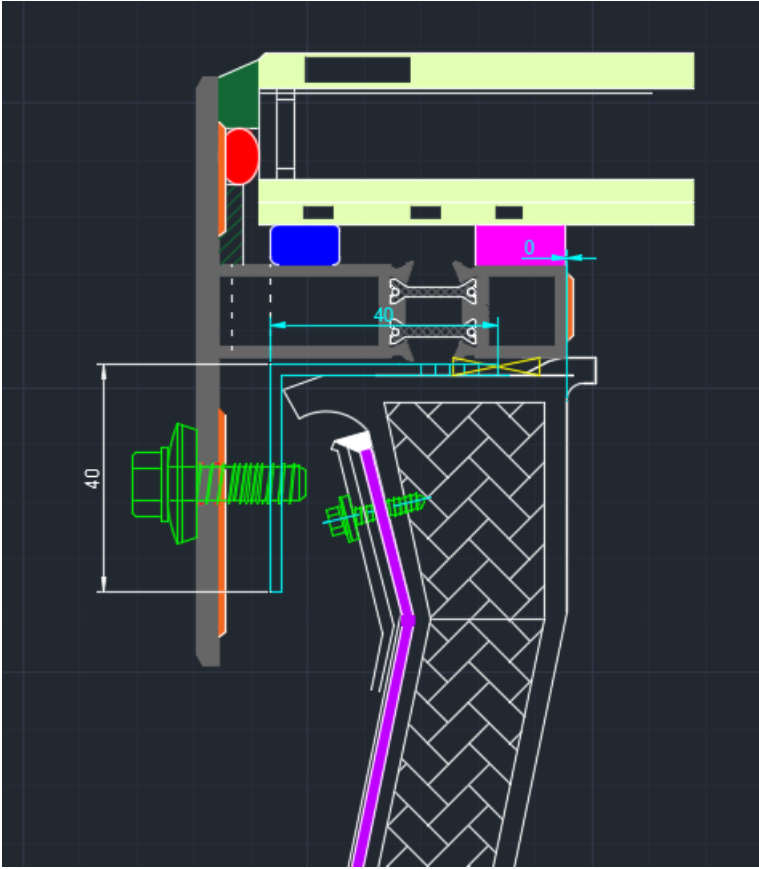
2. It is screwed on through the bottom part or heel of the crown with screws (not included) into the substructure on all sides. Screwing is carried out at intervals that match the location of the fastening screws on the skydome.



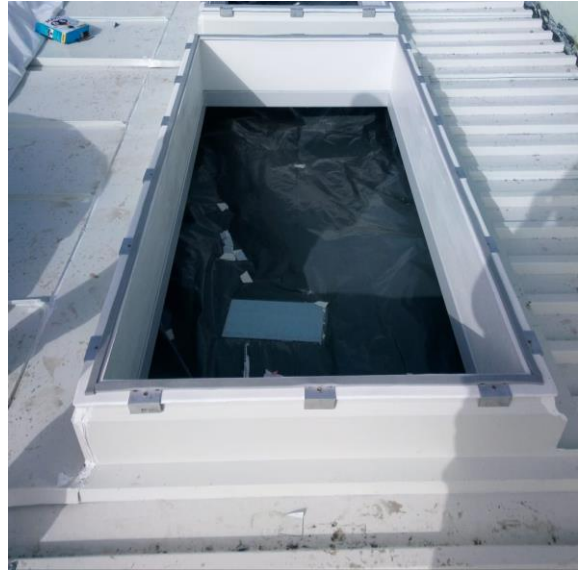
3. Upstand must be hydro insulated first.



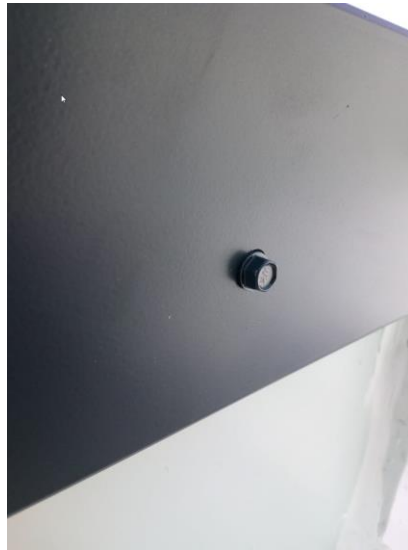
4. Special Aluminium L profiles must be positioned and fixed around upstand. Position of this L profiles is on the location of the holes on the glass unit.



5. One sided self-adhesive tape must be applied on upstand like picture below:



6. Glass unit must be positioned and pressed down, then must be screwed all around from the side (picture below)



Demonstration of correct screwing:

